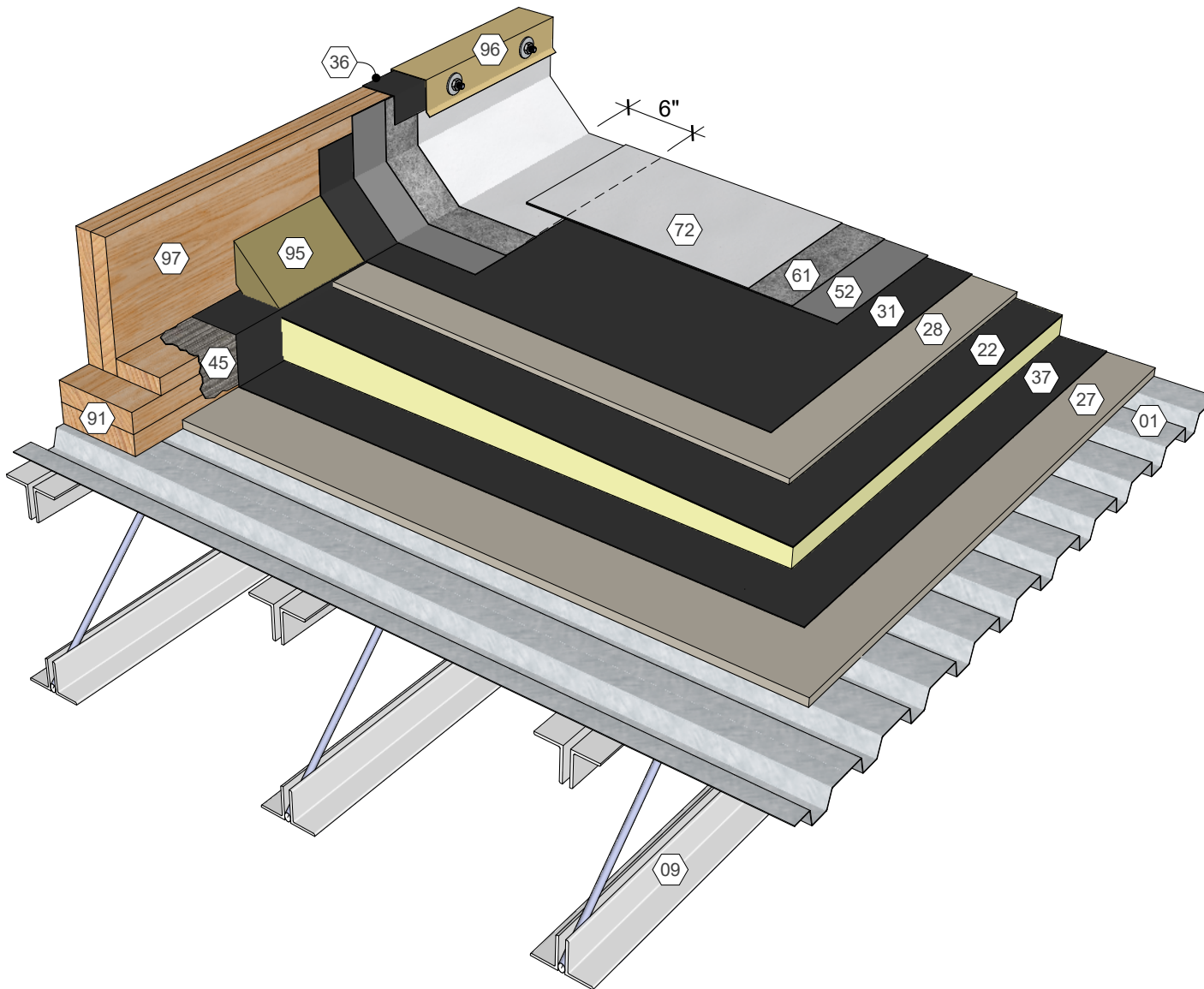
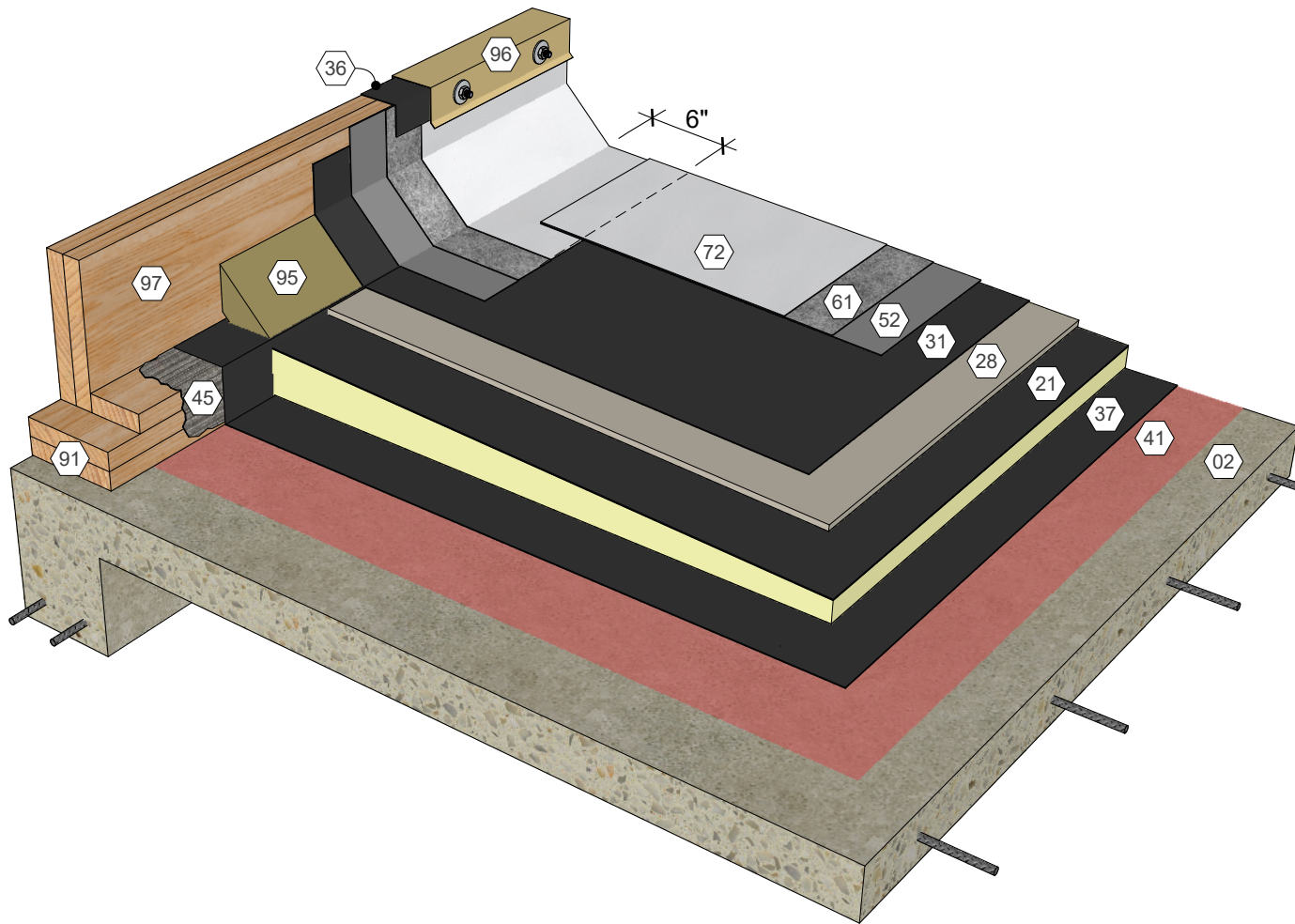


KEY NOTES

- 01 Metal Deck
- 09 Roof Structure
- 22 Polyisocyanurate Insulation (Fastened or Adhered)
- 27 Substrate Board (Fastened)
- 28 Cover Board (Adhered)
- 31 Approved Base Ply Sheet
- 36 Base Sheet Liner
- 37 Approved Base Sheet (Adhered)
- 45 Roofing Mastic
- 52 AlphaGuard BIO Base Coat
- 61 AlphaGuard Glass Mat or Permafab
- 72 AlphaGuard BIO Top Coat
- 91 Wood Blocking
- 95 Cant Strip
- 96 Metal Coping
- 97 Wood Curb Assembly



AlphaGuard® BIO Plus Wood Curb, Temp. Roof, Metal Deck
Detail 33131



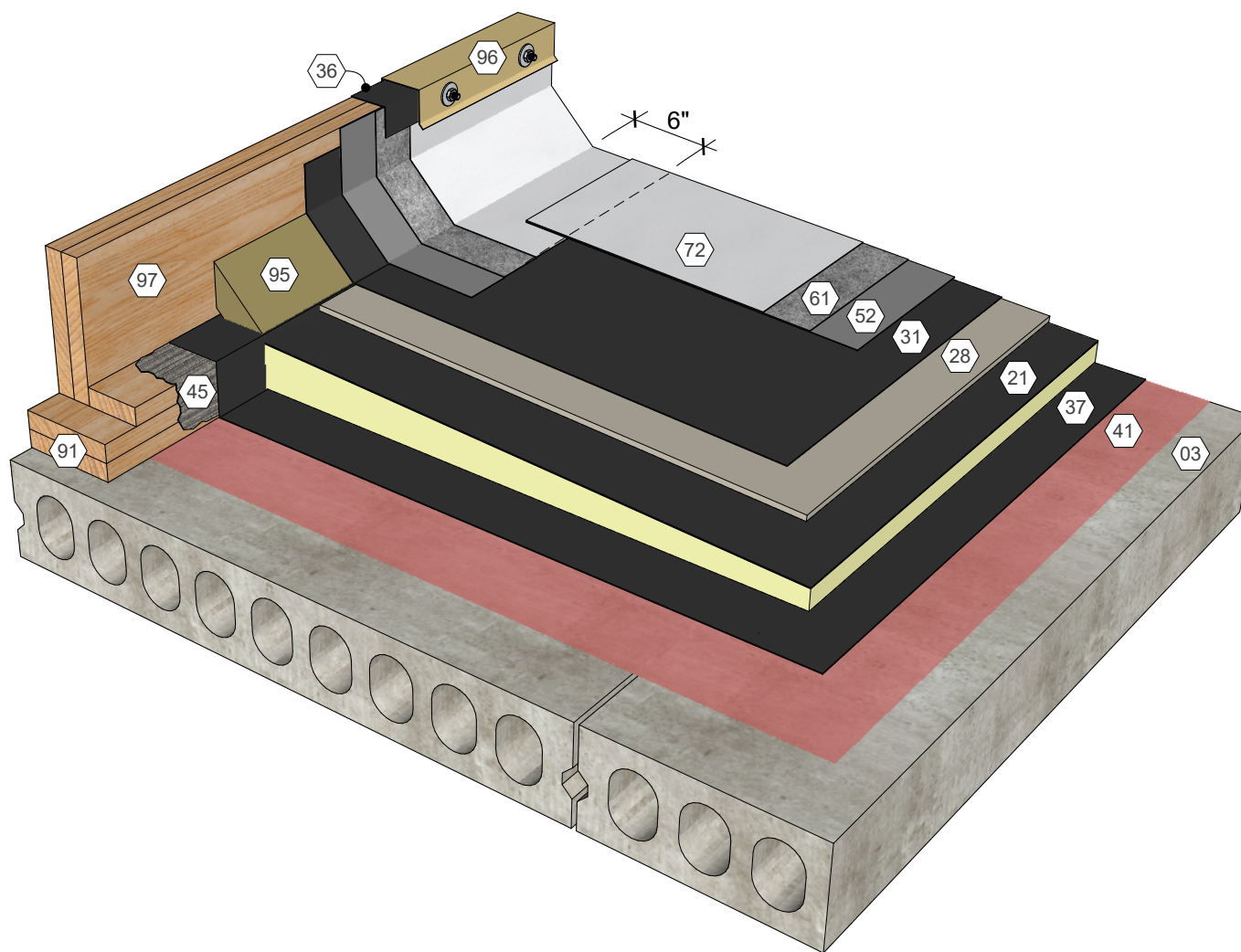
KEY NOTES

- 02 Structural Concrete Deck
- 21 Polyisocyanurate Insulation (Adhered)
- 28 Cover Board (Adhered)
- 31 Approved Base Ply Sheet
- 36 Base Sheet Liner
- 37 Approved Base Sheet (Adhered)
- 41 Approved Primer
- 45 Roofing Mastic
- 52 AlphaGuard BIO Base Coat
- 61 AlphaGuard Glass Mat or Permafab
- 72 AlphaGuard BIO Top Coat
- 91 Wood Blocking
- 95 Cant Strip
- 96 Metal Coping
- 97 Wood Curb Assembly

AlphaGuard® BIO Plus Wood Curb, Temp. Roof, Structural Concrete Deck
 Detail 33132

KEY NOTES

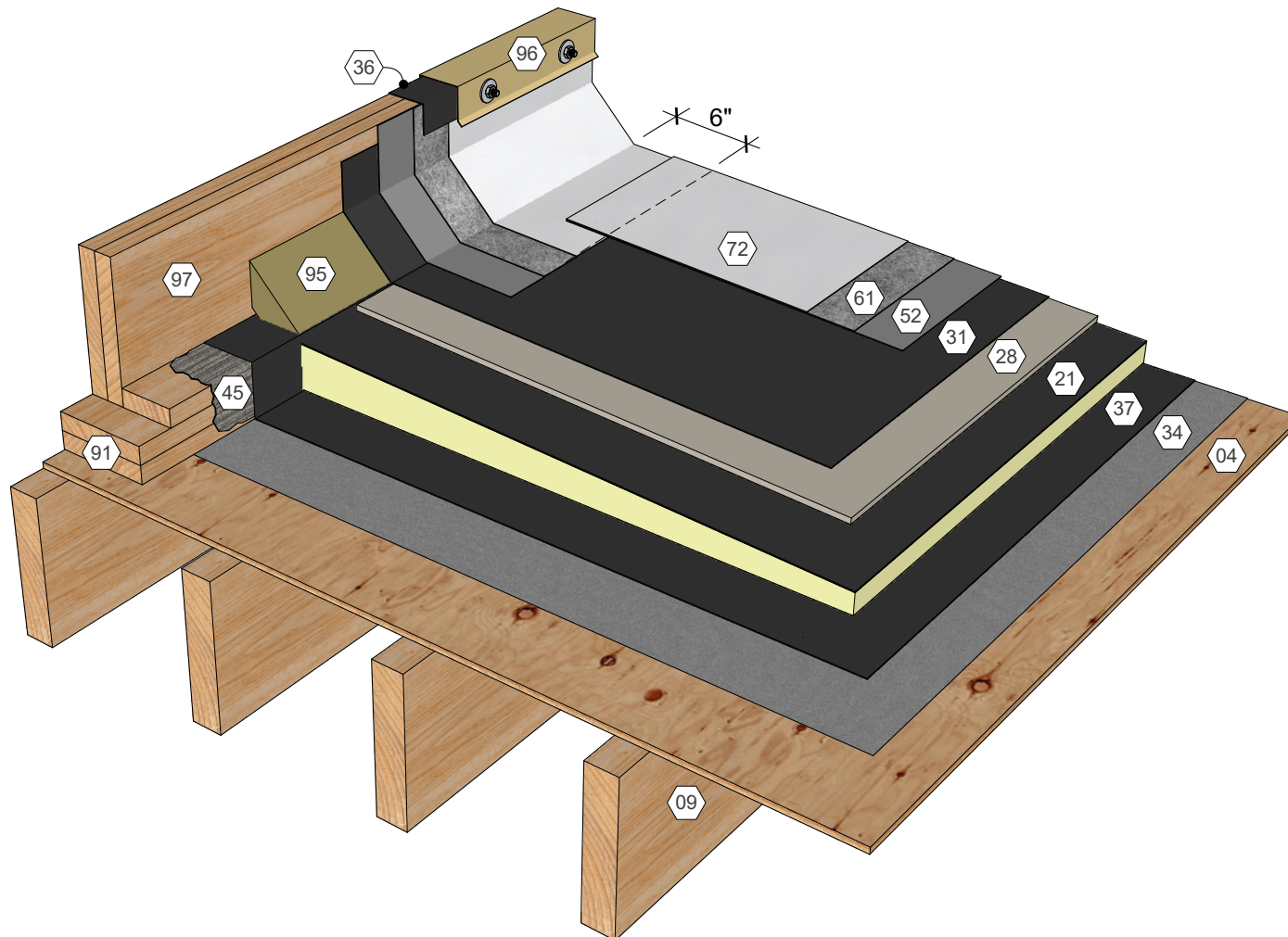
- 03 Precast Concrete Deck
- 21 Polyisocyanurate Insulation (Adhered)
- 28 Cover Board (Adhered)
- 31 Approved Base Ply Sheet
- 36 Base Sheet Liner
- 37 Approved Base Sheet (Adhered)
- 41 Approved Primer
- 45 Roofing Mastic
- 52 AlphaGuard BIO Base Coat
- 61 AlphaGuard Glass Mat or Permafab
- 72 AlphaGuard BIO Top Coat
- 91 Wood Blocking
- 95 Cant Strip
- 96 Metal Coping
- 97 Wood Curb Assembly



AlphaGuard® BIO Plus Wood Curb, Temp. Roof, Precast Concrete Deck
Detail 33133

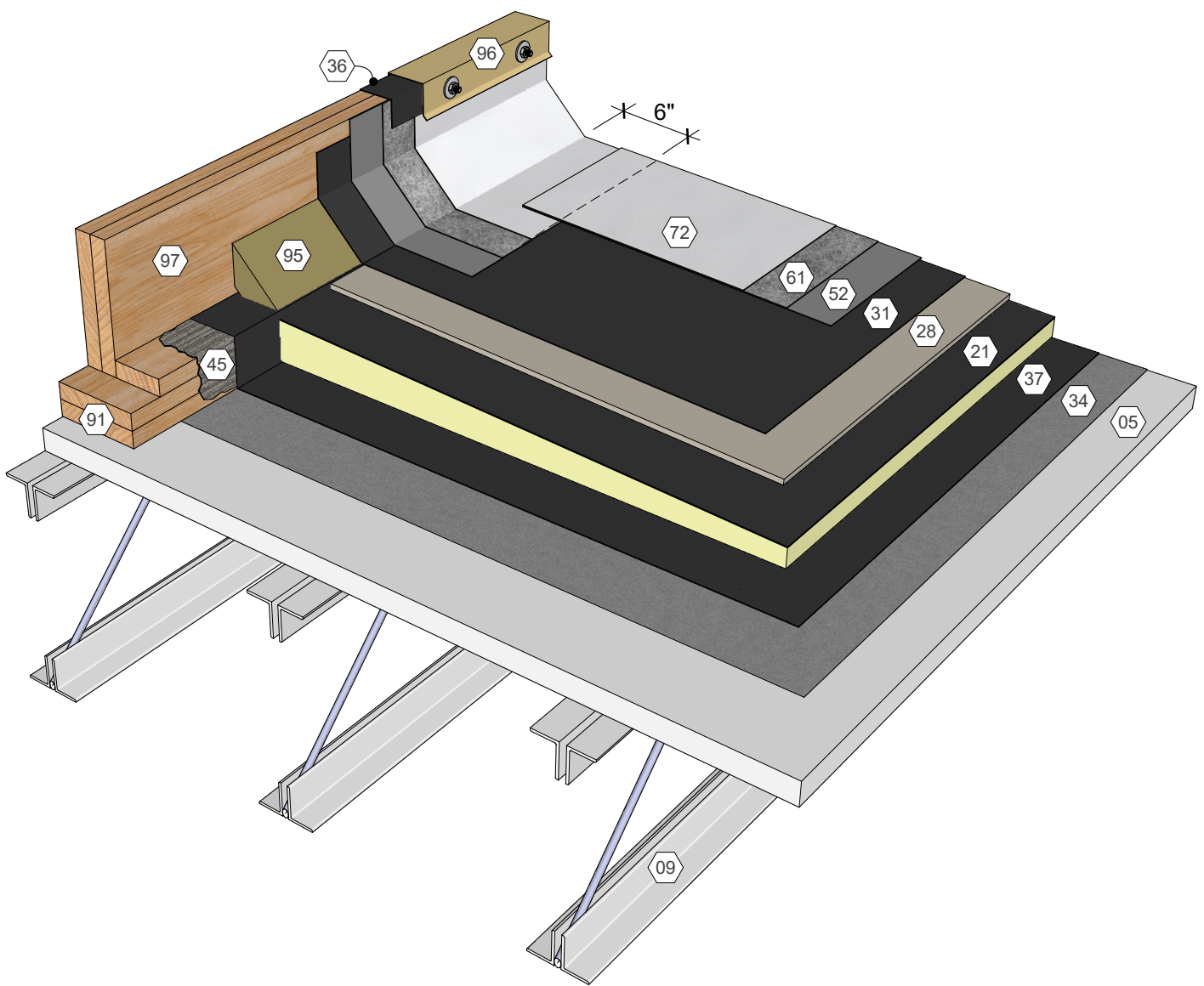
KEY NOTES

- 04 Wood Deck
- 09 Roof Structure
- 21 Polyisocyanurate Insulation (Adhered)
- 28 Cover Board (Adhered)
- 31 Approved Base Ply Sheet
- 34 Base Sheet (Fastened)
- 36 Base Sheet Liner
- 37 Approved Base Sheet (Adhered)
- 45 Roofing Mastic
- 52 AlphaGuard BIO Base Coat
- 61 AlphaGuard Glass Mat or Permafab
- 72 AlphaGuard BIO Top Coat
- 91 Wood Blocking
- 95 Cant Strip
- 96 Metal Coping
- 97 Wood Curb Assembly



AlphaGuard® BIO Plus Wood Curb, Temp. Roof, Wood Deck
 Detail 33134

- KEY NOTES**
- 05 Gypsum Deck
 - 09 Roof Structure
 - 21 Polyisocyanurate Insulation (Adhered)
 - 28 Cover Board (Adhered)
 - 31 Approved Base Ply Sheet
 - 34 Base Sheet (Fastened)
 - 36 Base Sheet Liner
 - 37 Approved Base Sheet (Adhered)
 - 45 Roofing Mastic
 - 52 AlphaGuard BIO Base Coat
 - 61 AlphaGuard Glass Mat or Permafab
 - 72 AlphaGuard BIO Top Coat
 - 91 Wood Blocking
 - 95 Cant Strip
 - 96 Metal Coping
 - 97 Wood Curb Assembly



AlphaGuard® BIO Plus Wood Curb, Temp. Roof, Gypsum Deck
 Detail 33135

